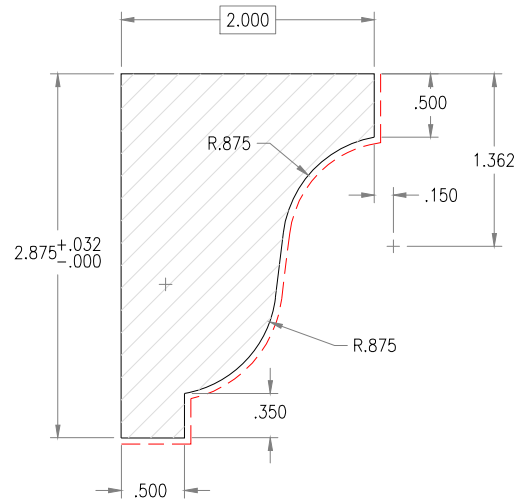


Finished Surface  
-----



SEQ:	DATE:	DESCRIPTION:	BY:

**PEDIMENT**

CUSTOMER:	SUBSTRATE:	TOT. AREA:	DRAWN: RES
CUST. DWG:	FINISH PERM:	CELL AREA:	DATE: 2/2007
LIAISON:	BENDABLE?	CAP AREA:	SCALE: 1:1
PROCESS:	EMBOSSSED?	FLEX AREA:	PROJECT: A
		RIG. AREA:	

UNSPEC. DIMENSIONS ARE REF.  
BOXED DIMENSIONS ARE ± 0.016  
BOXED ANGLE DIMS ARE ± 1.0'

UNSPEC. INSIDE RADI 0.010  
UNSPEC. OUTSIDE RADI 0.010  
UNSPEC. FLATNESS - FLAT/CONCAVE